

WORKSHOP EXTENSION ACTIVITY

Built by The Home Depot Kids Workshop



FIREHOUSE BANK

Ages 5-12

MAKE. CREATE. EXPLORE.

#KidsWorkshopExplore





Saving money can have big rewards.

Keep track of your money with the **Firehouse Bank.**

You might receive money for doing chores, for your birthday, or as a reward for grades. Having a special place at home to put your money can help you keep track of the money you have to spend. You also might save your money for a more expensive item like a toy or present for someone else. Saving money can also be used to contribute to a charity, help save an endangered animal, or buy clothes and food for children in need.

How would you spend \$5.00?

What is something you want to save for?

How would you want to donate your money?



Share your discovery! Use **#KidsWorkshopExplore** to post pictures of your experiment and results.

Having trouble saving money? Make it fun!

Launch

What happens when you roll a coin on the floor or table?

It travels for a period of time and then falls.

Do quarters go further or faster than pennies, nickels, and dimes?

Test it out!

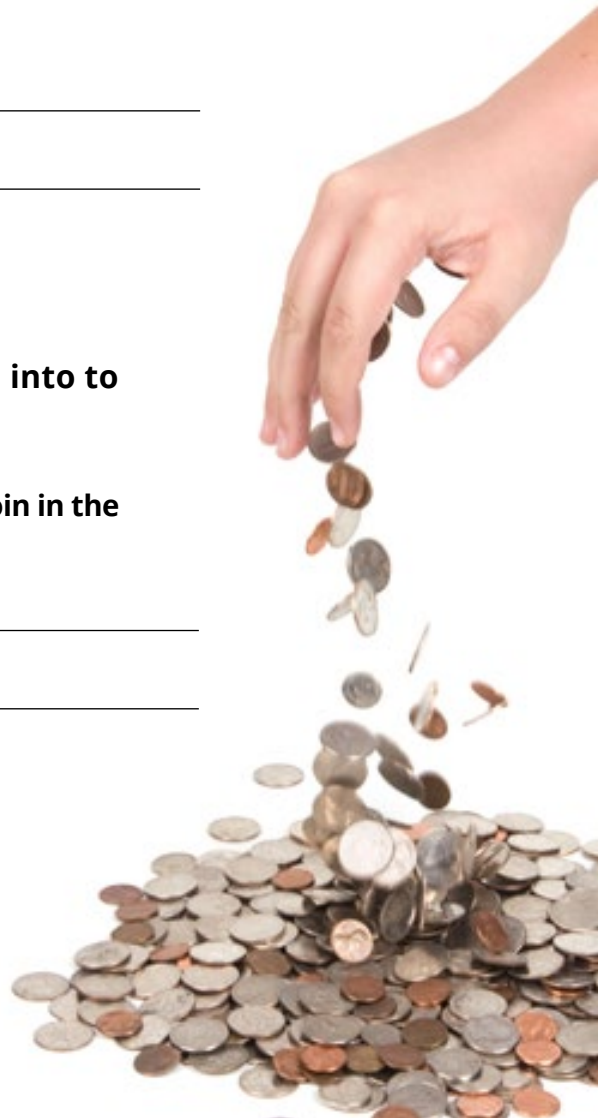
Spiral into Savings

Design a roller coaster ride for your coins to drop into to your bank.

Make a prediction: What do you think will happen to a coin in the tubing?

You'll need...

- 1 in. x 6ft foam pipe insulation
- Painter's tape
- Scissors or box cutter



Share your discovery! Use [#KidsWorkshopExplore](#) to post pictures of your experiment and results.

Steps *(See Build Your Firehouse Bank)*

1. Trace a quarter over one of the slots in your bank, cutting out a circle that is slightly larger than the quarter.
2. Use foam pipe insulation to create your coaster. Make sure a quarter can easily slide through the pipe or tubing first. You might need to use a wider size.
3. Cut the insulation to your preferred length.
4. Place one end of the tube or pipe over one of the coin slots on your bank. You can use painters tape to create a funnel into the slot. The other slot can be used for bills.
5. Push your bank up against a wall and create a roller coaster design going up the wall.
6. Use the painter's tape to secure the tubing against the wall. You may need to test this several times to ensure the coins can travel downward and into your bank.
7. Send your coins down into your bank to start saving!

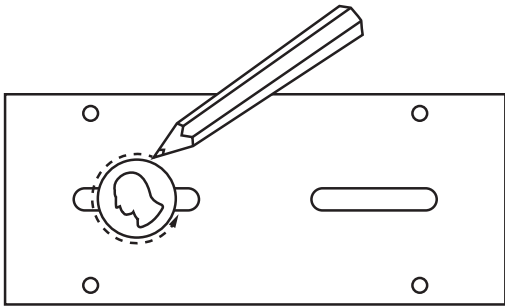
Spiral into Savings

Roller coasters are driven by the force of gravity. Gravity is a force that pulls everything down.

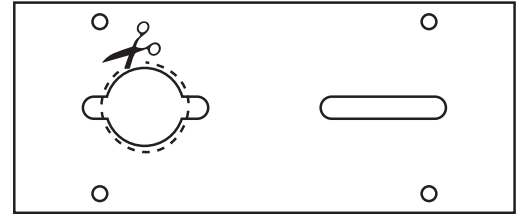


Share your discovery! Use [#KidsWorkshopExplore](#) to post pictures of your experiment and results.

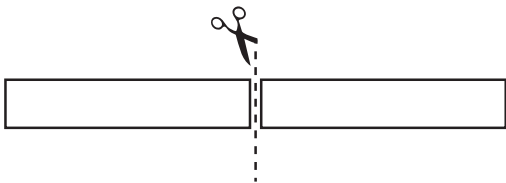
Build Your Firehouse Bank



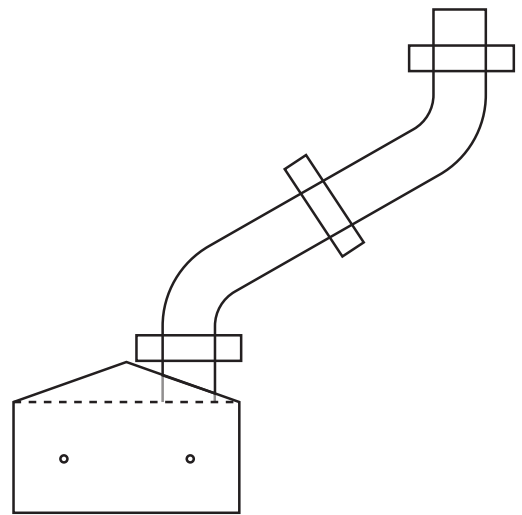
1. Trace quarter over one of the slots on the top piece



2. Cut traced circle



3. Cut insulation to desired length



4. Attach insulation to top of bank (line up holes) and to wall in desired shape



Share your discovery! Use [#KidsWorkshopExplore](#) to post pictures of your experiment and results.

Bonus Activity

October is National Fire Prevention Month

You might practice fire drills by exiting your school with your classmates. But do you know what to do if there is a fire in your home? Here are some tips and activities to keep you and your family safe in the case of a fire emergency.

Have a plan

- Ask an adult in your home to help show you how to quickly exit in the event of a fire emergency.
- Identify at least two ways to get out in case one way is blocked.
- Decide on a meeting place outside the home in case you are separated.
- Ask an adult where your smoke alarms are in the house and if they are working. There should be one in each bedroom and outside sleeping areas. Smoke alarms will let you know about a fire by finding smoke. Some homes may also have automatic fire sprinklers. They spray water onto the fire.



Practice!

Make a drawing or map of your home and outline the different ways you can safely exit.

Protect Yourself Every Day

- Burns badly hurt your skin. They can even leave marks on your body that may never go away.
- To keep yourself safe, you should stay at least 3 feet away from anything that gets hot! This sheet of paper is 11 inches long, 12 inches is one foot.
- To keep yourself safe, you should stay at least 3 feet away from anything that gets hot! This sheet of paper is 11 inches long, 12 inches is one foot.
 - **In the kitchen:** stoves, ovens, and toaster ovens
 - **In the bathroom:** hair tools
 - **Around the house:** space heaters, candles, matches, lighters

Practice!

Measure how far away three feet is from the objects in your home that get hot.

For more information, visit the [U.S. Fire Administration](https://www.fda.gov).



Share your discovery! Use **#KidsWorkshopExplore** to post pictures of your experiment and results.