



WARNING: CHOKING HAZARD

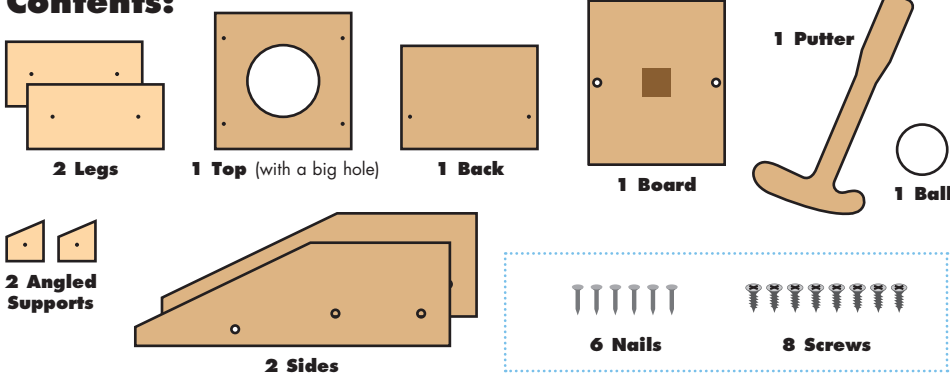
Toy contains small parts and functional/sharp points.
Not for children under 4 years old.
Adult supervision required.



PUTTING GREEN

Made in Chonburi, Thailand exclusively for The Home Depot by Houseworks, Ltd
2388 Pleasantdale Road, Atlanta, GA 30340 · batch #171120 · date: 02/19

Contents:

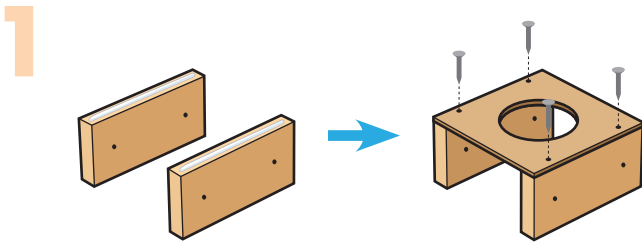


ALSO NEEDED:

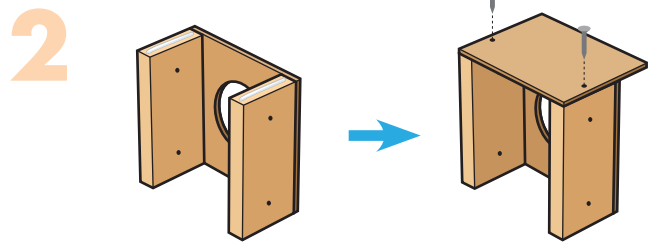
- Fine Sandpaper
- Wood Glue
- Hammer
- #2 Phillips Screwdriver

Assembly:

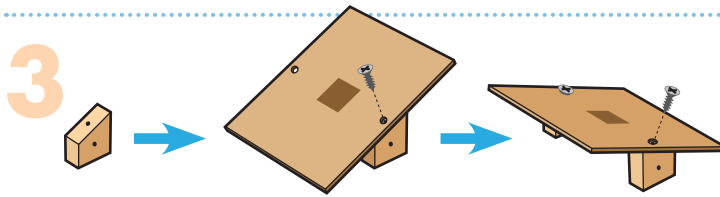
Start with sanding each wood piece to remove any rough edges. Remember to sand in the direction of the wood grain. Glue and nail the pieces together. Allow glue to completely dry.



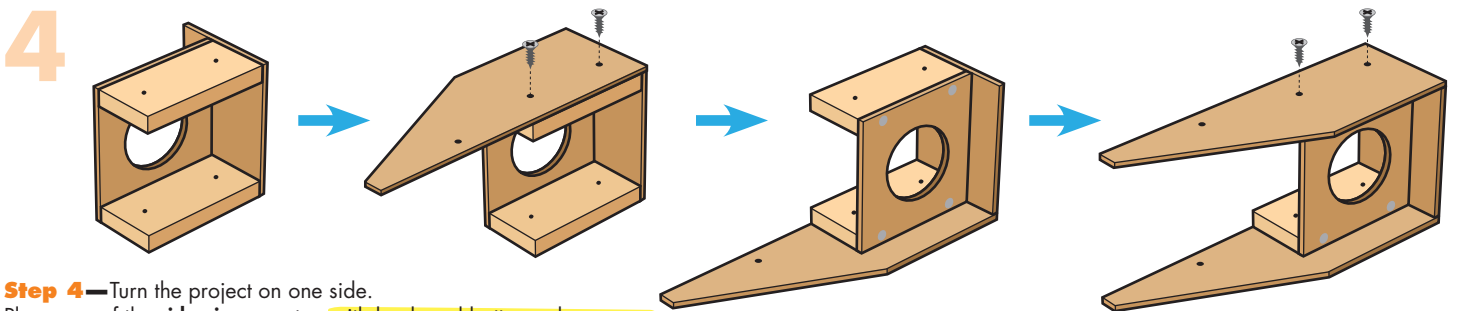
Step 1—Stand both **leg pieces** up on long edges. Add a little glue to the top edges. Place the **top piece** on top. Make sure the nail holes are on the **leg pieces** and outside edges are even. Using 4 **nails**, nail them together.



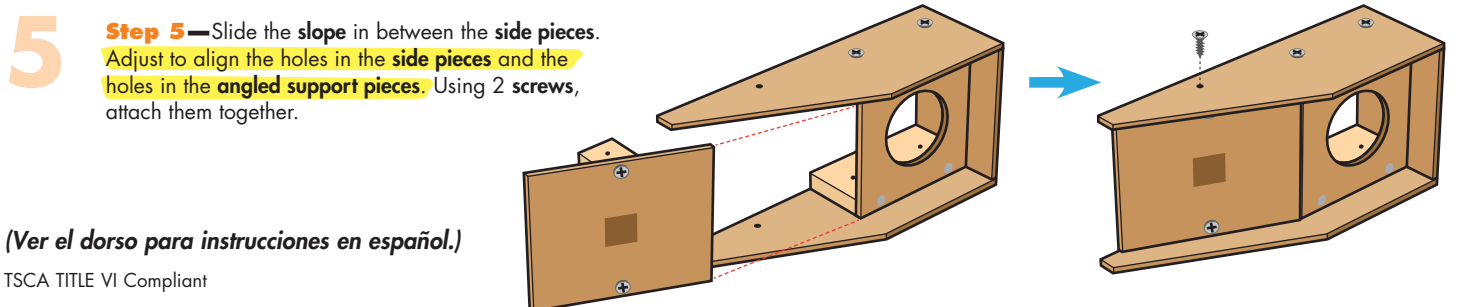
Step 2—Turn the project up on an open end. Add a little glue to the top edges. Place the **back piece** on top. Make sure the nail holes are on the **leg pieces** and bottom and side edges are even. Using 2 **nails**, nail them together.



Step 3—Stand one of the **angled support pieces** up with the angled edge with a hole on top. Match the hole in the angled edge to one of the holes in the **board**. Attach them together with a **screw** using a #2 Phillips screwdriver. Repeat to attach the other **angled support piece** to form a **slope**.



Step 4—Turn the project on one side. Place one of the **side pieces** on top with back and bottom edges even and the holes are matching. Using 2 **screws**, attach them together. Turn it over and repeat to attach the other **side piece**.



Step 5—Slide the **slope** in between the **side pieces**. Adjust to align the holes in the **side pieces** and the holes in the **angled support pieces**. Using 2 **screws**, attach them together.

(Ver el dorso para instrucciones en español.)

TSCA TITLE VI Compliant